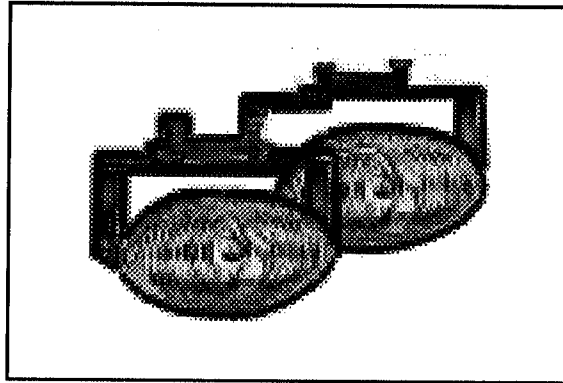


MINI-OFF ROAD FOG LIGHTS

Model 46908

OPERATING INFORMATION



3491 Mission Oaks Blvd., Camarillo, CA 93011
Visit our Web site at <http://www.harborfreight.com>

Copyright © 2002 by Harbor Freight Tools®. All rights reserved. No portion of this Product Information Sheet or any artwork contained herein may be reproduced in any shape or form without the express written consent of Harbor Freight Tools.

For technical questions please call 1-800-444-3353

SPECIFICATIONS TABLE

Item	Description
Electrical Requirements	Halogen H3 Type Lamp 12 Volt/DC, 55 Watt 15 Amp In-Line Glass Fuse Power Switch: Rocker Type
Lamp Dimensions	4-3/8" W x 2-3/4" D x 1-7/8" H & 3-3/4" Mount
Lens Type	Glass, Oval, 4-1/4" L x 1-7/8" H Blue/Glow Dichromatic
Bracket Dimensions	3/4" W x 4" L x 1-5/8" H
Fabrication	Sheet/Strap Steel, Glass Lens
Weight	1.20 Pounds

SAVE THIS MANUAL

You will need this Product Information Manual for the safety warnings and precautions, assembly, inspection, maintenance, and cleaning procedures. Keep your invoice with this Product Information Manual. Write the invoice number on the front page. Keep this Product Information Manual and invoice in a safe and dry place for future reference.

GENERAL SAFETY WARNINGS AND PRECAUTIONS

1. **KEEP WORK AREA CLEAN AND DRY.** Cluttered, damp or wet work areas invite injuries.
2. **KEEP CHILDREN AWAY FROM WORK AREA.** Do not allow children to handle this product.
3. **STORE IDLE EQUIPMENT.** When not in use, tools and equipment should be stored in a dry location to inhibit rust. Always lock up tools and equipment and keep out of reach of children.
4. **DO NOT USE TOOLS IF UNDER THE INFLUENCE OF ALCOHOL OR DRUGS.** Read warning labels on prescriptions to determine if your judgment or reflexes are impaired while taking drugs. If there is any doubt, do not attempt to use tools.
5. **USE EYE PROTECTION.** Wear ANSI approved safety impact eyeglasses when installing this product. ANSI approved safety impact eyeglasses are available from Harbor Freight Tools.

6. **INDUSTRIAL APPLICATIONS MUST FOLLOW OSHA REQUIREMENTS.**
7. **DO NOT OVERREACH.** Keep proper footing and balance at all times to prevent tripping, falling, back injury, etcetera.
8. **STAY ALERT.** Watch what you are doing at all times. Use common sense. Do not use tools when you are tired or distracted from the job at hand.
9. **CHECK FOR DAMAGED PARTS.** Before using this product, carefully check that it will operate properly and perform its intended function. Check for damaged parts and any other conditions that may affect the operation of this product. Replace or repair damaged or worn parts immediately.
10. **REPLACEMENT PARTS AND ACCESSORIES.** When servicing, use only identical replacement parts. Only use accessories intended for use with this product. Approved accessories are available from Harbor Freight Tools.
11. **MAINTAIN THIS PRODUCT WITH CARE.** Keep this product clean.
12. **MAINTENANCE:** For your safety, service and maintenance should be performed regularly by a qualified technician.
13. **USE THE RIGHT PRODUCT FOR THE RIGHT JOB.** There are certain applications for which this product was designed. Do not use this product for a purpose for which it was not intended.
14. **WARNING:** The warnings and precautions discussed in this manual cannot cover all possible conditions and situations that may occur. The operator must understand that common sense and caution are factors that cannot be built into this product, but must be supplied by the operator.

SPECIFIC PRODUCT WARNINGS AND PRECAUTIONS

1. **PRIOR TO INSTALLING THIS PRODUCT ON A VEHICLE, MAKE SURE TO READ AND UNDERSTAND ALL INSTRUCTIONS AND SAFETY PRECAUTIONS AS OUTLINED IN THE VEHICLE MANUFACTURER'S MANUAL.**
2. **TO AVOID ELECTRICAL SHOCK, ALWAYS DISCONNECT BOTH BATTERY CABLES FROM THE VEHICLE'S BATTERY PRIOR TO PRODUCT INSTALLATION, INSPECTION, MAINTENANCE, AND CLEANING.**

3. **ALWAYS WEAR CLEAN, CLOTH GLOVES WHEN INSTALLING AND REPLACING THE HALOGEN LAMPS.** Moisture, dirt, grease, oil, and other foreign materials introduced on the surface of the Halogen Lamps will damage and/or reduce the life of the Lamps.

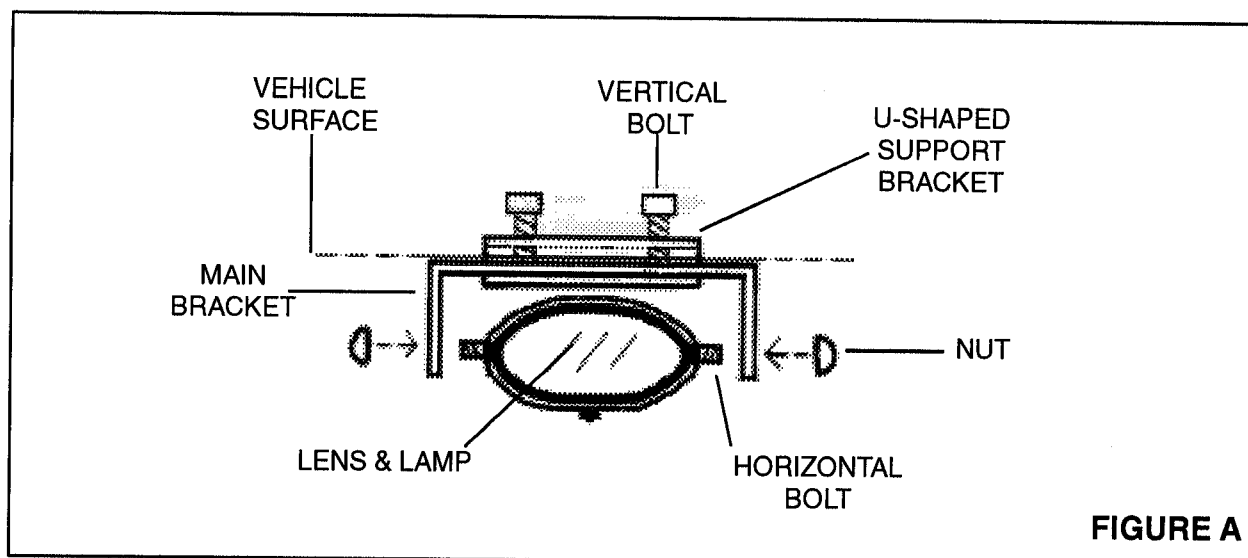
UNPACKING

When unpacking, check to make sure the parts shown on **Figure A** and the **Wiring Diagram** are included. If any parts are missing or broken, please call Harbor Freight Tools at the number shown on the front page of this Manual as soon as possible.

ASSEMBLY INSTRUCTIONS

NOTE: For additional references to the parts mentioned below, refer to Figure A and the Wiring Diagram of this Manual.

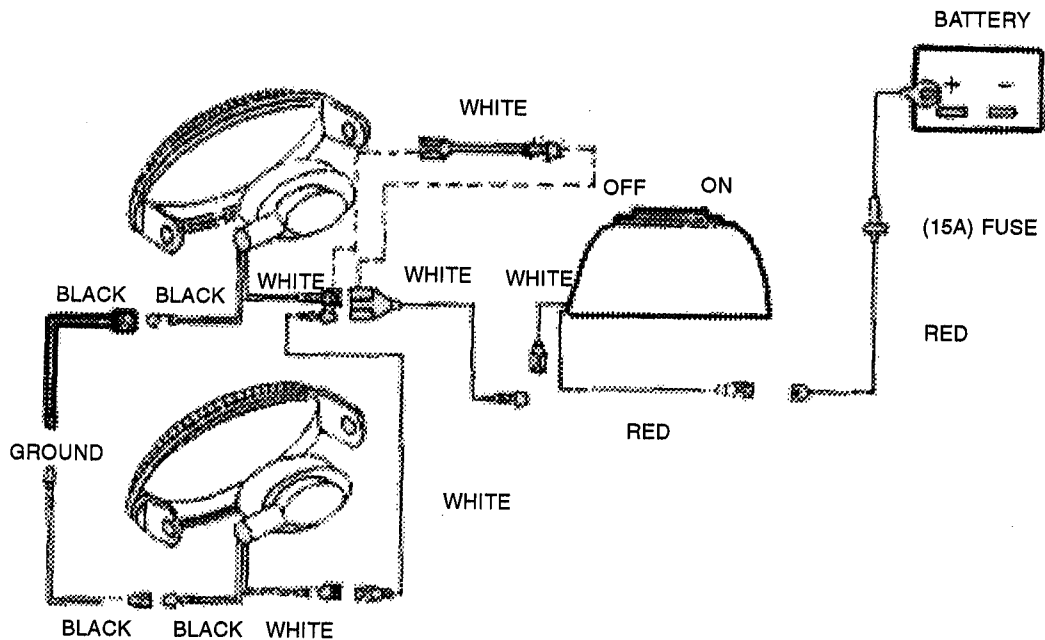
1. To mount the Mini-Off Road Fog Lights, select the desired mounting locations on the vehicle (typically, the front grill area).
2. Position the Main Bracket on the *underside* of the vehicle's surface where the Mini-Off Road Fog Light will be mounted. **(See Figure A, next page.)**
3. Slide the U-Shaped Support Bracket over the *topside* of the vehicle's mounting surface and *underside* of the Main Bracket. **(See Figure A, next page.)**
4. Secure the Main Bracket and U-Shaped Support Bracket to the vehicle's mounting surface, using the two Vertical Bolts. **(See Figure A, next page.)**
5. Position the Lens and Lamp (with pre-attached Horizontal Bolts) between the flanges of the Main Bracket, and secure the Lens and Lamp to the Main Bracket with the two Nuts. **(See Figure A, next page.)**
6. For wiring instructions, refer to the **Wiring Diagram** on the last page of this Manual.



INSPECTION, MAINTENANCE, AND CLEANING

1. **Caution:** To avoid electrical shock, always disconnect both Battery Cables from the vehicle's Battery prior to performing inspection, maintenance, and cleaning.
2. Before each use, inspect the general condition of the Mini-Off Road Fog Lights. Check for cracks or breaks in the Lens, loose or broken Wiring, defective Halogen Lamps, loose or broken Mounting Brackets, and any other condition that may affect safe operation. If a problem occurs with the Mini-Off Road Fog Lights, immediately discontinue their use and have the problem corrected before further use. Do not use damaged equipment.
3. To replace the Halogen Lamps, remove the Lamp Socket and replace only with new 12 Volt/DC, 55 Watt, Halogen H3 type Lamps. **NOTE:** Though only one Lamp at a time may burn out, it is recommended to replace both Lamps at the same time.
4. To clean the Lens, wipe with a damp cloth. You may use a mild detergent. Do not use solvents, de-greasers, or other harsh chemicals as damage to the Lens may occur.

WIRING DIAGRAM



NOTE: Some parts are shown for illustration purposes only. No replacement parts are available for this product.

PLEASE READ THE FOLLOWING CAREFULLY

THE MANUFACTURER AND/OR DISTRIBUTOR HAS PROVIDED THIS ASSEMBLY INFORMATION MANUAL AS A REFERENCE TOOL ONLY. NEITHER THE MANUFACTURER NOR DISTRIBUTOR MAKES ANY REPRESENTATION OR WARRANTY OF ANY KIND TO THE BUYER THAT HE OR SHE IS QUALIFIED TO MAKE ANY REPAIRS TO THE PRODUCT OR THAT HE OR SHE IS QUALIFIED TO REPLACE ANY PARTS OF THE PRODUCT. IN FACT, THE MANUFACTURER AND/OR DISTRIBUTOR EXPRESSLY STATES THAT ALL REPAIRS AND PARTS REPLACEMENTS SHOULD BE UNDERTAKEN BY CERTIFIED AND LICENSED TECHNICIANS AND NOT BY THE BUYER. THE BUYER ASSUMES ALL RISK AND LIABILITY ARISING OUT OF HIS OR HER REPAIRS TO THE ORIGINAL PRODUCT OR REPLACEMENT PARTS THERETO, OR ARISING OUT OF HIS OR HER INSTALLATION OF REPLACEMENT PARTS THERETO.